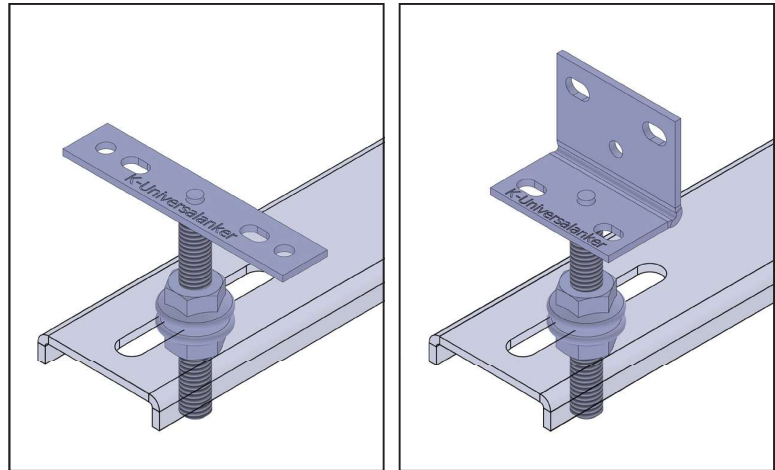


4.1. Adjusting Element

4

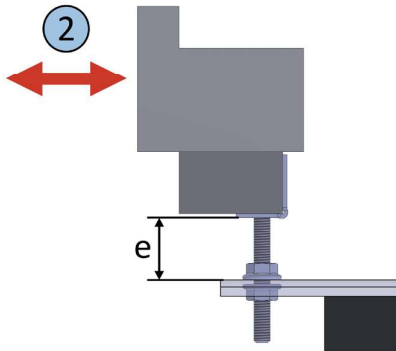
- many possible combinations with K-Universal Anchors
- easily adjustable wedging



Adjusting Element flat and angle connection

Article-No.	Article name [mm] connection - pin length	Connection	Units
K-000010	Adjusting Element-F40	flat connection M8x40	50
K-000011	Adjusting Element-F60	flat connection M8x60	50
K-000013	Adjusting Element-W40	angle connection M8x40	50
K-000015	Adjusting Element-W60	angle connection M8x60	50

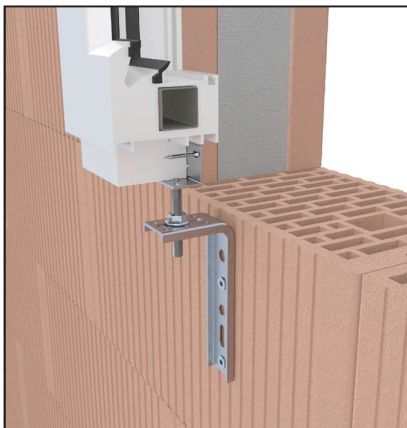
Scope of delivery per item: 1x connection element, 2x Flange Nut M8



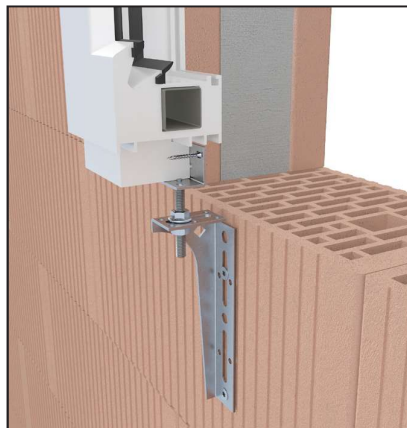
ift-Rosenheim verification number
Tested for loads which are perpendicular to the window layer:
12-002151-PR07_PB-E03-09-de-02, 21-001960-PR02 PB 04-K26-09-de-01

	tested joint width e	maximum load
2	36 mm	68 kg
	54 mm	43 kg

In combination with FMW U-Profile



In combination with SLW



In combination with SL-Console

